

pressure variation :
 pressure swing 0-11 bar max. operations 1.000
 infinite operation of pressure swing within 20% of 11 bar

operational characteristics / calculation characteristics :

volume V (litre)	: 1500
max. working pressure PS (bar)	: 11
test pressure PT (bar)	: 15,73
min. working temp. TS (°C)	: -20
max. working temp. TS (°C)	: 50
fluid	: compressed air / nitrogen (fluid group 2)
location	: inside and outside building possible

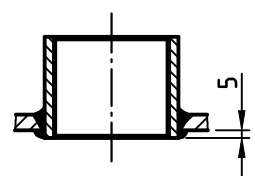
coating :
 inside : hot dip galvanized
 outside : hot dip galvanized

manufacturing and testing
 acc. to PED 2014 / 68 / EU - AD 2000

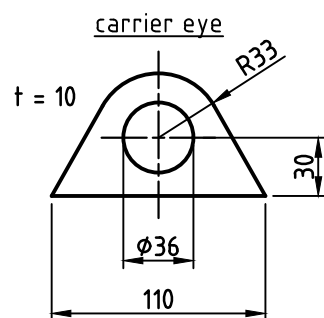
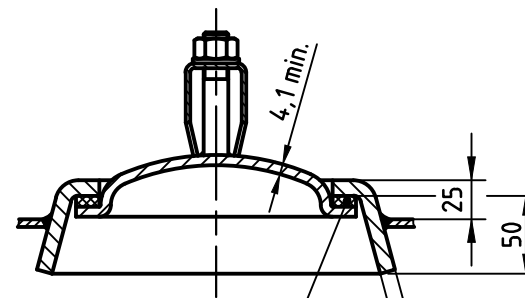
conformity benchmark :

fluid group : 2	categorie : IV
diagram : 2	module : H1

socket welding
 drain and plug socket
 inside flush



OAB 51 - handhole lock 100/150
 tested components



1a rubber gasket up to 70°C

scale:	1:15	description:	pressure vessel horizontal 1500 l 11 bar						
our no.:	-								
order no.:	-	<table border="1"> <tr> <th>date</th> <th>name</th> </tr> <tr> <td>compl. 23.06.2015</td> <td>CW</td> </tr> <tr> <td>appr. 23.06.2015</td> <td>SW</td> </tr> </table>	date	name	compl. 23.06.2015	CW	appr. 23.06.2015	SW	drawing no.:
date	name								
compl. 23.06.2015	CW								
appr. 23.06.2015	SW								
used for:	M+B Standardvessel	MB 020102-1.1500V/E							
weight:	ca. 410 kg	drawing no. of design inspection:	MB 020102-1						
sheet:	1			revision:	A				
of sheet:	1	date of revision:	23.06.2015						
date of plot:	23.06.2015			revision only on CAD					
file:	ENG-010784								